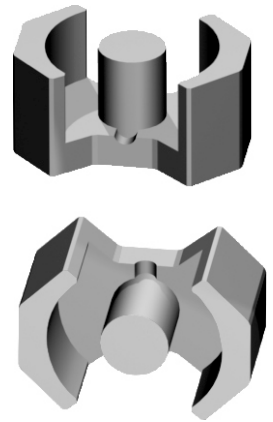
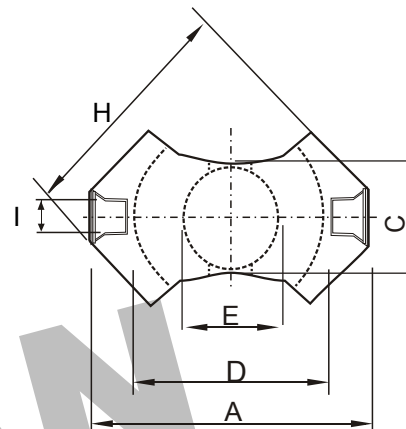
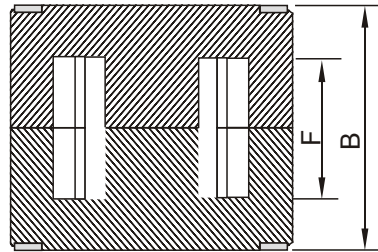


Dimension: (UNIT:mm)

A	36.75 ± 0.65
B	24.5 ± 0.1
C	15.85 ± 0.25
D	25.5 ± 0.5
E	12.6 ± 0.2
F	17.1 ± 0.3
H	29.25 ± 0.55
I	5.0±0.1



Test conditions

AL: F=10.0KHz U=0.3V N=10Ts

Effective parameter

C1(mm) ⁻¹	Ae(mm ²)	Le(mm)	Ve(mm ³)	Weight(g)
0.388	146	56.6	8340	≈46.0

Core sets for general purpose transformers and Power applications.

Clamping force for Al measurements, 70+/-20N.

Grade	AL (nH)	μe	AIR GAP μm	Type number
P3	160 ± 3%	≈ 49	≈ 1570	RM12-P3
	250 ± 3%	≈ 77	≈ 900	RM12-P3
	315 ± 5%	≈ 97	≈ 680	RM12-P3
	400 ± 5%	≈ 123	≈ 510	RM12-P3
	630 ± 5%	≈ 194	≈ 300	RM12-P3
	5600 ± 25%	≈ 1730	≈ 0	RM12-P3
P4	160 ± 3%	≈ 49	≈ 1570	RM12-P4
	250 ± 3%	≈ 77	≈ 900	RM12-P4
	315 ± 5%	≈ 97	≈ 680	RM12-P4
	400 ± 5%	≈ 123	≈ 510	RM12-P4
	630 ± 5%	≈ 194	≈ 300	RM12-P4
	5600 ± 25%	≈ 1730	≈ 0	RM12-P4
HQ2KA	5050 ± 25%	≈ 1560	≈ 0	RM12-HQ2KA
HQ2K	160 ± 3%	≈ 49	≈ 1570	RM12-HQ2K
	250 ± 3%	≈ 77	≈ 900	RM12-HQ2K
	315 ± 5%	≈ 97	≈ 680	RM12-HQ2K
	400 ± 5%	≈ 123	≈ 510	RM12-HQ2K
	630 ± 5%	≈ 194	≈ 300	RM12-HQ2K
	5050 ± 25%	≈ 1560	≈ 0	RM12-HQ2K

Properties of core sets under power conditions

Grade	B (mT)at	Core loss (w) at			
	H=250 A/m F=25KHz T=100°C	F=25 KHz B̂=200mT T=100°C	f=100 KHz B̂=100mT T=100°C	F=100 KHz B̂=200mT T=100°C	F=400 KHz B̂=50mT T=100°C
P3	≥315	≤1.0	≤1.1	-	-
P4	≥315	-	≤0.8	≤4.5	-
HQ2KA	≥340	-	≤0.6	≤3.6	≤1.5
HQ2K	≥315	-	≤0.92	-	≤1.6

Properties of core sets under power conditions (continued)

Grade	B (mT)at	Core loss (w) at				
	H=250 A/m F=25KHz T=100°C	F=500 KHz B̂=50mT T=100°C	F=500 KHz B̂=100mT T=100°C	F=1.0 MHz B̂=30mT T=100°C	F=1.0 MHz B̂=50mT T=100°C	F=3.0MHz B̂=10mT T=100°C
P3	≥315	-	-	-	-	-
P4	≥315	-	-	-	-	-
HQ2KA	≥340	≤3.0	-	-	-	-
HQ2K	≥315	-	-	-	-	-

Note:

- 1: Document is the property of FUAN Inc & is not allow to be duplicated without authorization
- 2: RoHS compliant.